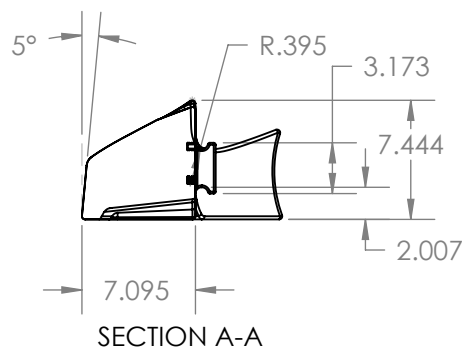
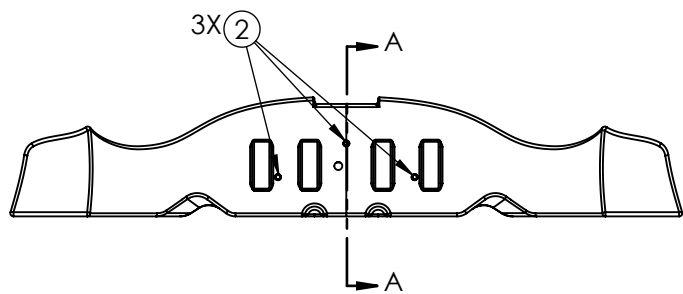
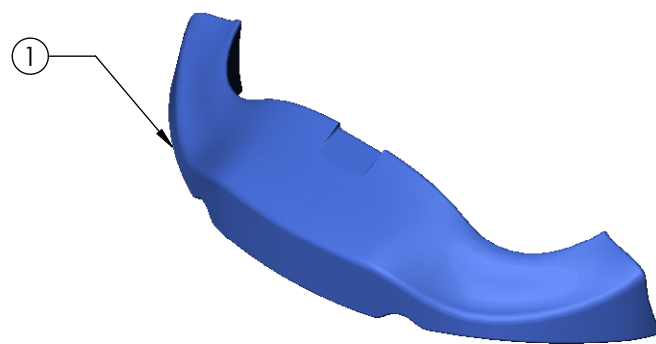
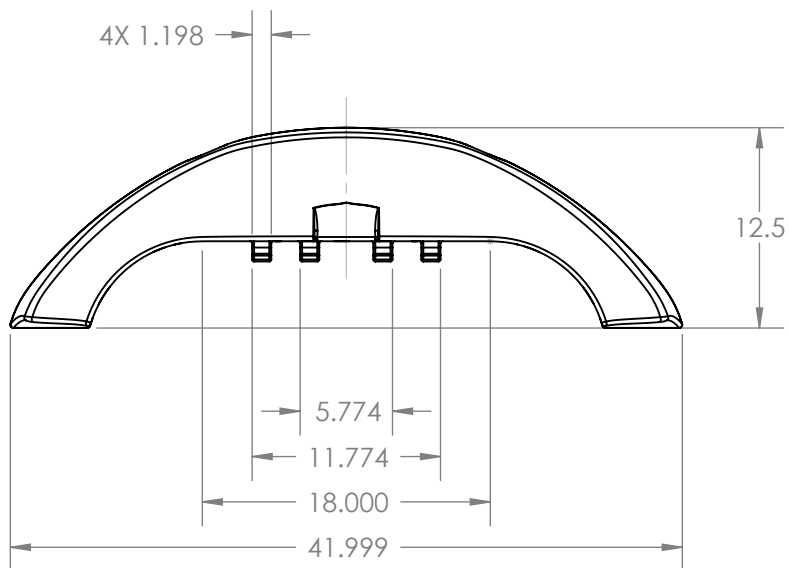


REV	FAB CAD DATA	NATIVE DRAWING FILE	NATIVE CAD FILE	REVISIONS		
				DESCRIPTION	DATE	APPROVED
A	6010-A.PDF	6010-A.slddrw	6010-A.sldprt	Production Release	03/07/08	RS
B	6010-B.PDF	6010-B.slddrw	6010-B.sldprt	Changed shape of front flat.	04/22/08	RS
C	6010-C.PDF	6010-C.slddrw	6010-C.sldasm	Revision C Release.	08/14/09	RS



ITEM NO.	PART NUMBER	DESCRIPTION	QTY.
1	6010-C		1
2	M8 Threaded Insert	M8 Threaded Insert	3



11455 Hydraulic Drive Rancho Cordova, CA. 95742-6870 Tel: 800-552-5847 Fax: 916-638-2278 www.scribnerplastics.com	TITLE: BodyLine Nose	
	PART NUMBER: 6010	
	SIZE: A	SCALE: 1:12

UNLESS OTHERWISE SPECIFIED:
 DIMENSIONS ARE IN INCHES
 DO NOT SCALE DRAWING