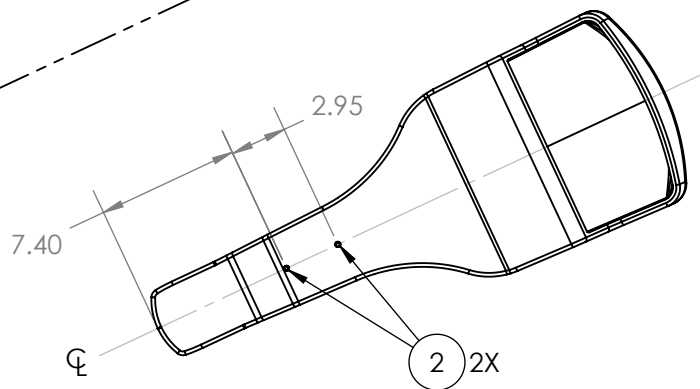
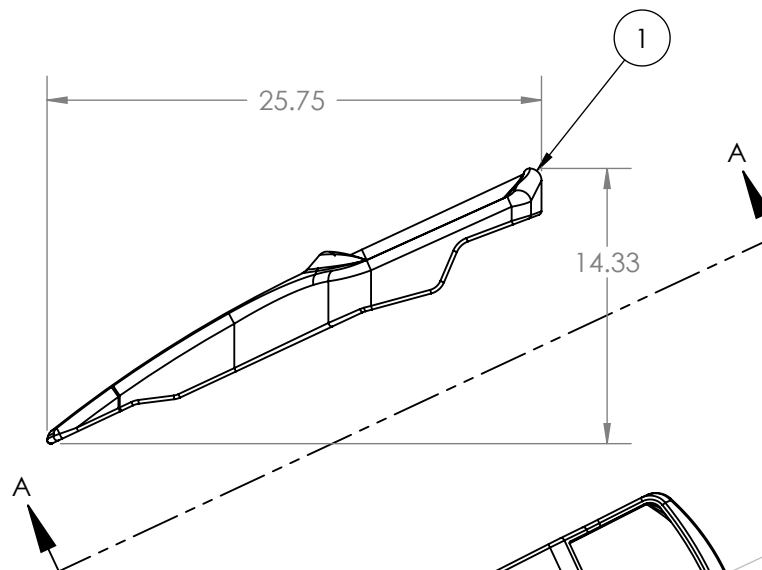
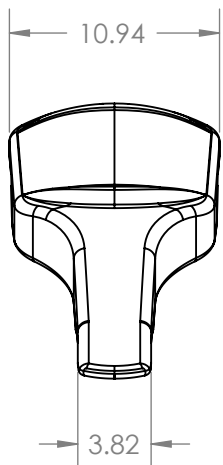
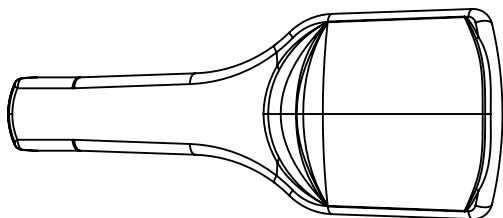


REV	FAB CAD DATA	NATIVE DRAWING FILE	NATIVE CAD FILE	REVISIONS		
				DESCRIPTION	DATE	APPROVED
A	6020-A.PDF	6020-A.slddrw	6020-A.sldprt	Production Release	03/07/08	RS
B	6020-B.PDF	6020-B.slddrw	6020-B.sldasm	Revision B Release.	08/14/09	RS



VIEW A-A

ITEM NO.	PART NUMBER	DESCRIPTION	QTY.
1	6020-B		1
2	M6 Threaded Insert	M6 Threaded Insert	2



11455 Hydraulic Drive  
 Rancho Cordova, CA.  
 95742-6870  
 Tel: 800-552-5847  
 Fax: 916-638-2278  
 www.scribnerplastics.com

TITLE: BodyLine  
 Fairing

PART NUMBER: 6020

UNLESS OTHERWISE SPECIFIED:  
 DIMENSIONS ARE IN INCHES  
 DO NOT SCALE DRAWING

SIZE: **A** SCALE: 1:10