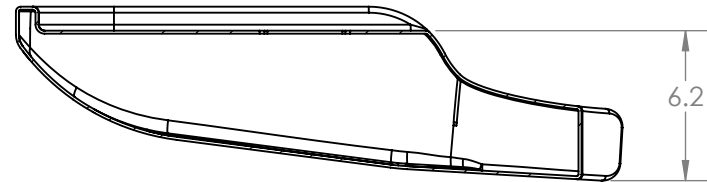
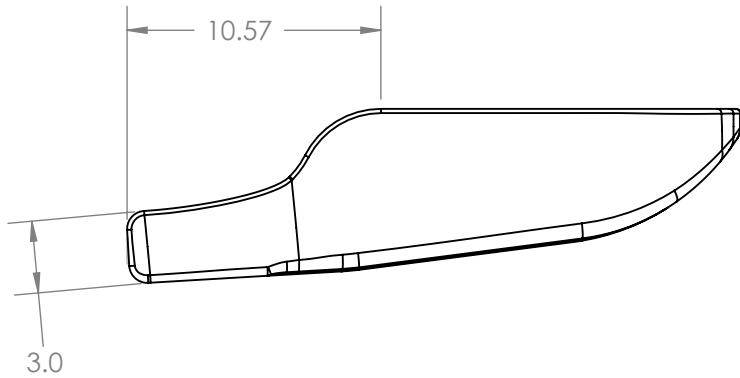
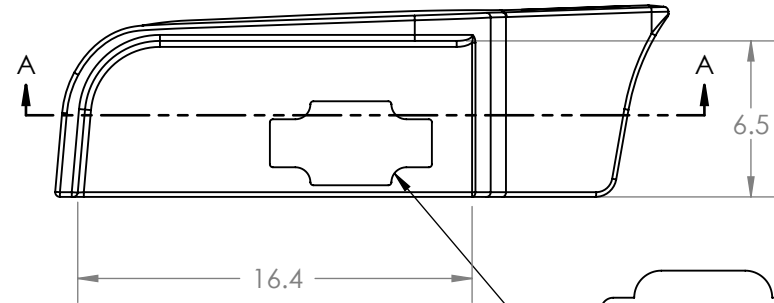
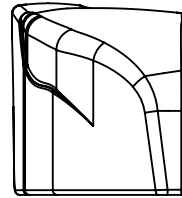
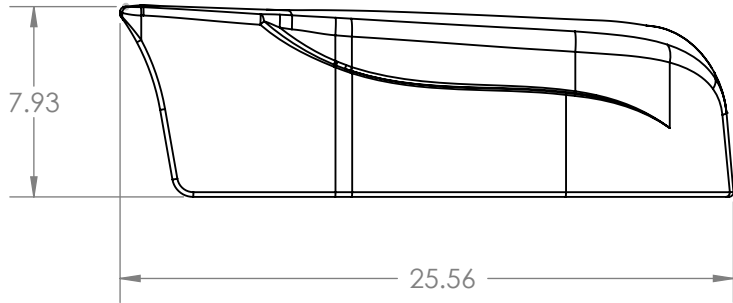


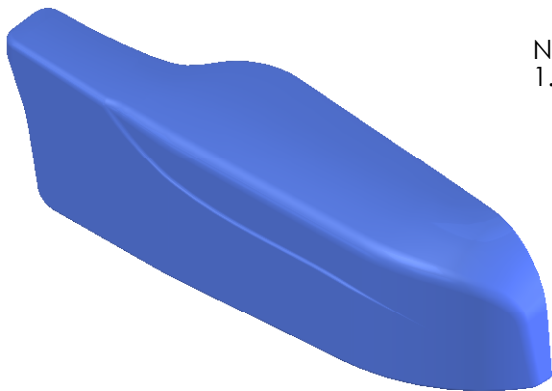
REV	FAB CAD DATA	NATIVE DRAWING FILE	NATIVE CAD FILE	REVISIONS		
				DESCRIPTION	DATE	APPROVED
A	6030R-A.PDF	6030R-A.slddrw	6030R-A.sldprt	Production Release	03/07/08	RS
B	6030R-B.PDF	6030R-B.slddrw	6030R-B.sldprt	Revision B Release.	08/14/09	RS



SECTION A-A



Side Pod Plug is installed in cutout



Note:
1. 6030L is the mirror of 6030R.



11455 Hydraulic Drive
Rancho Cordova, CA.
95742-6870
Tel: 800-552-5847
Fax: 916-638-2278
www.scribnerplastics.com

TITLE: BodyLine
Side Pod

PART NUMBER: 6030R

UNLESS OTHERWISE SPECIFIED:
DIMENSIONS ARE IN INCHES
DO NOT SCALE DRAWING

SIZE: **A** SCALE: 1:8