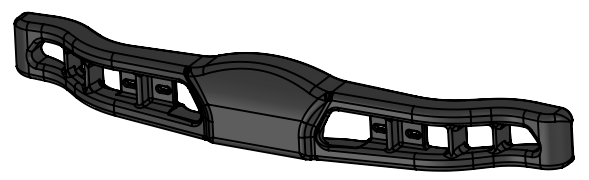
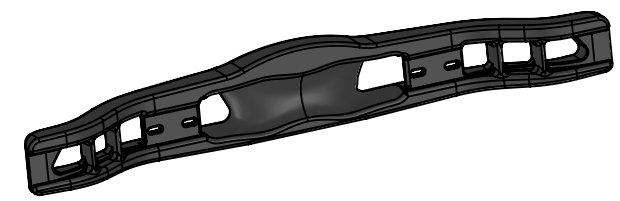
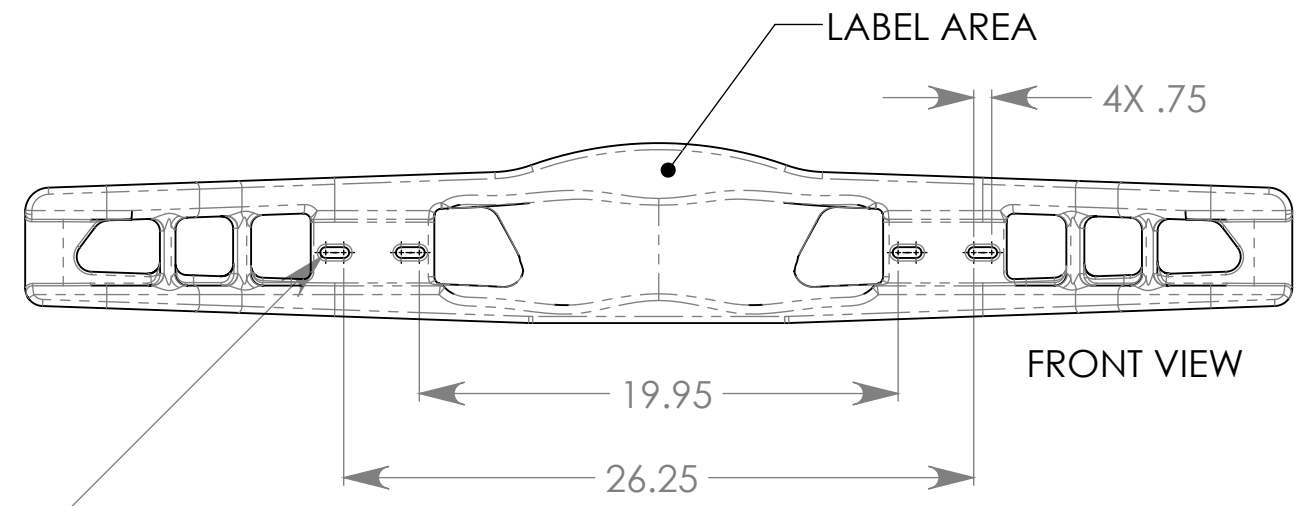
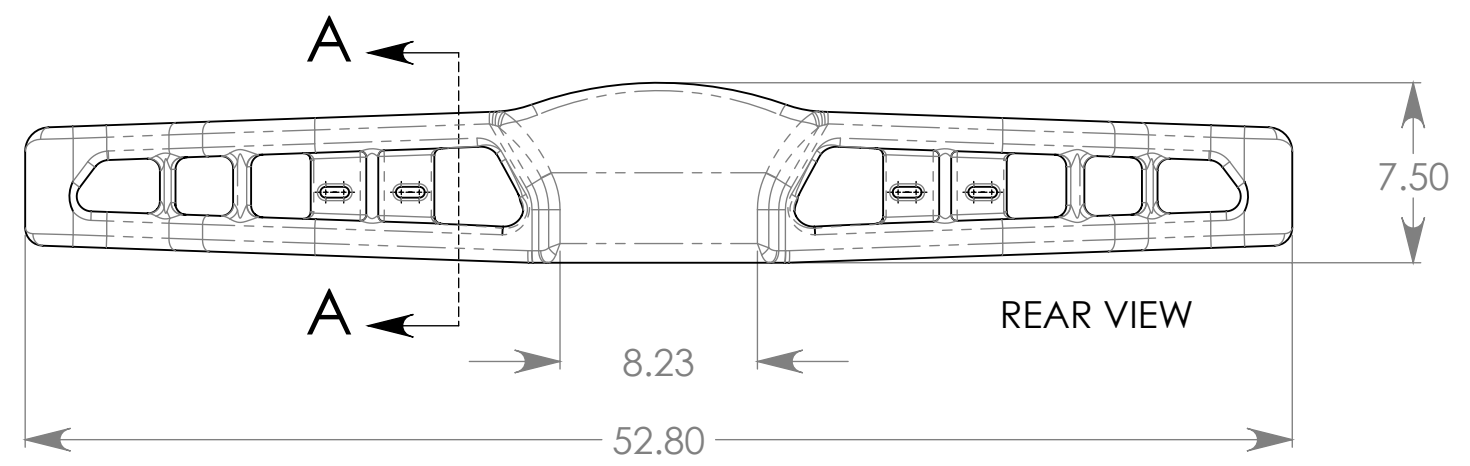
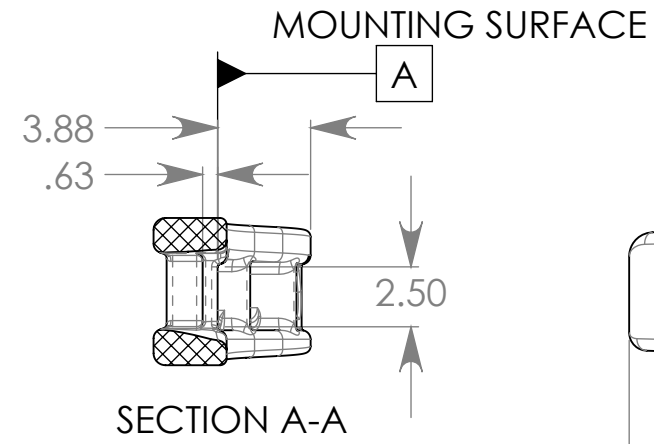
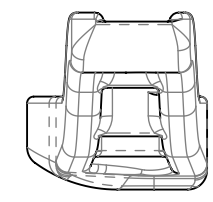
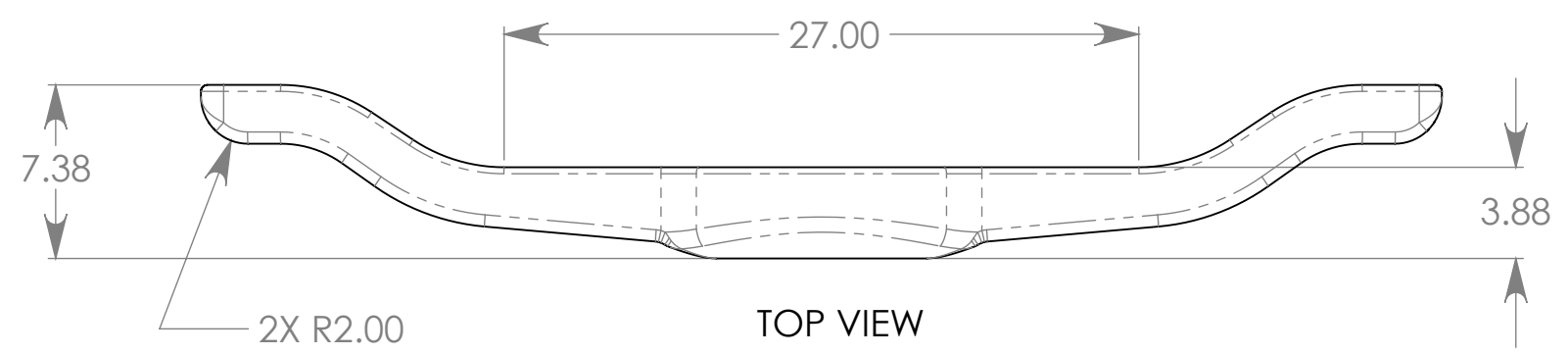


THE INFORMATION CONTAINED IN THIS DRAWING IS THE SOLE PROPERTY OF SCRIBNER PLASTICS. ANY REPRODUCTION IN PART OR WHOLE WITHOUT THE WRITTEN PERMISSION OF SCRIBNER PLASTICS IS PROHIBITED.

| REVISIONS |             |      |          |
|-----------|-------------|------|----------|
| REV.      | DESCRIPTION | DATE | APPROVED |
|           |             |      |          |
|           |             |      |          |
|           |             |      |          |



Ø .45 4X MOUNTING SLOTS

| ITEM NO.  | PART OR IDENTIFYING NO. | NOMENCLATURE OR DESCRIPTION                   | MATERIAL SPECIFICATION | QTY REQD |
|---|-------------------------|---|------------------------|----------|
| PARTS LIST  |                         |   |                        |          |
| UNLESS OTHERWISE SPECIFIED DIMENSIONS ARE IN INCHES TOLERANCES ARE: |                         | CAD GENERATED DRAWING, DO NOT MANUALLY UPDATE |                        |          |
| 2 DECIMAL PLACES = ±.030  |                         | APPROVALS                                     | DATE                   |          |
| 3 DECIMAL PLACES = ±.005  |                         | DRAWN   | CLOUSER 110412         |          |
| 4 DECIMAL PLACES = ±.002  |                         | CHECKED                                       |                        |          |
| ANGLES = ±1°  |                         | RESP ENG                                      |                        |          |
| MATERIAL  | POLYETHYLENE            | MFG ENG                                       |                        |          |
| FINISH  | --                      | QUAL ENG                                      |                        |          |
| DO NOT SCALE DRAWING  |                         | SCALE   | DWG. NO. 6050          | REV. B   |
|   |                         | CAD FILE:                                     | SHEET 1 OF 1           |          |



www.scribnerplastics.com

BODYLINE BUMPER, REAR