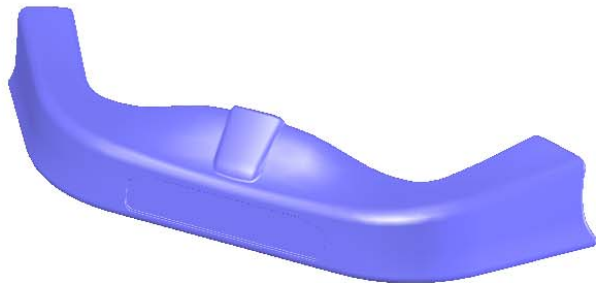
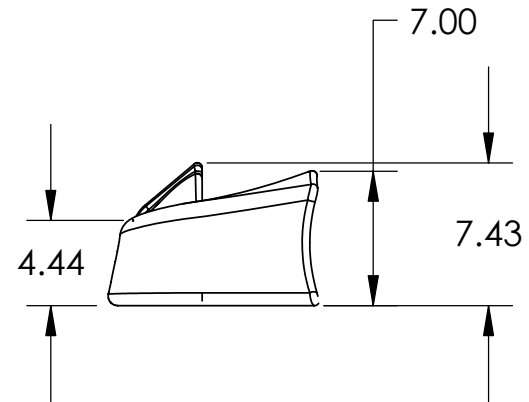
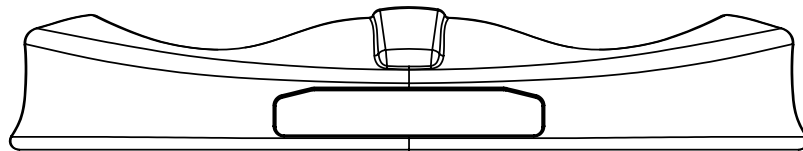
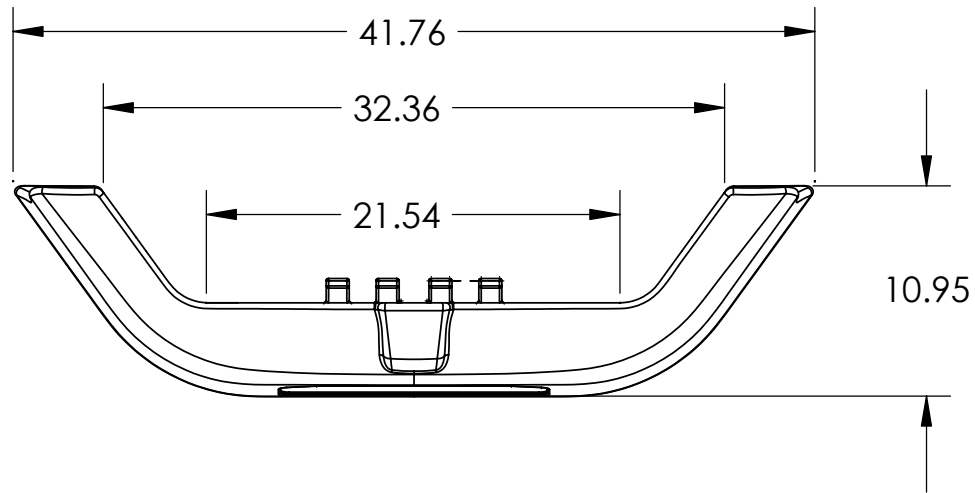


		REVISIONS		
ZONE	REV.	DESCRIPTION	DATE	APPROVED
	1	Initial Prototype Release	10-14-04	RS



11455 Hydraulic Drive
 Rancho Cordova, CA.
 95742-6870
 Tel: 800-552-5847
 Fax: 916-638-2278
www.scribnerplastics.com

TITLE: Go-Kart
 Nose Cone

PART NUMBER: 5010

UNLESS OTHERWISE SPECIFIED:
 DIMENSIONS ARE IN INCHES
 DO NOT SCALE DRAWING

SIZE: **A** SCALE: 1:10

5

↑

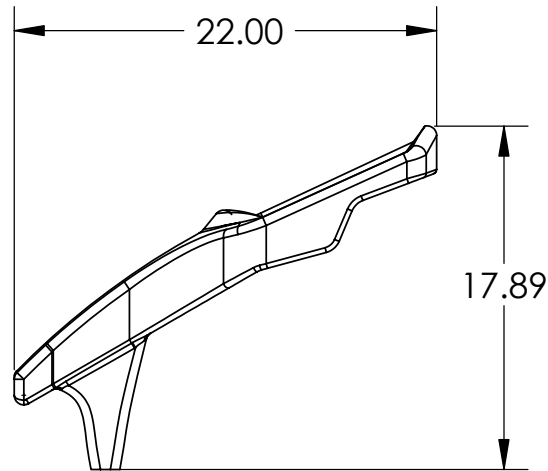
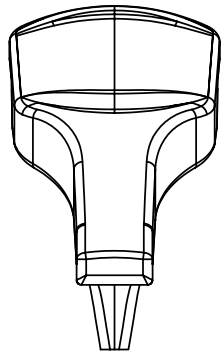
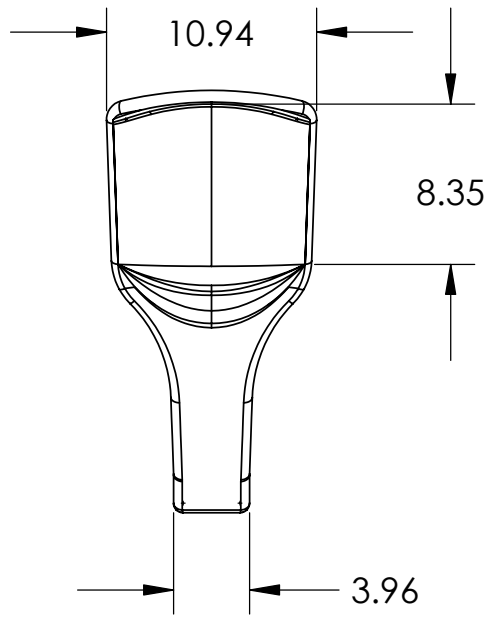
4

3

2

1

		REVISIONS		
ZONE	REV.	DESCRIPTION	DATE	APPROVED
	1	Initial Prototype Release	10-14-04	RS



11455 Hydraulic Drive
 Rancho Cordova, CA.
 95742-6870
 Tel: 800-552-5847
 Fax: 916-638-2278
 www.scribnerplastics.com

TITLE: Go-Kart
 Fairing

PART NUMBER: 5020

UNLESS OTHERWISE SPECIFIED:
 DIMENSIONS ARE IN INCHES
 DO NOT SCALE DRAWING

SIZE: **A** SCALE: 1:10

5

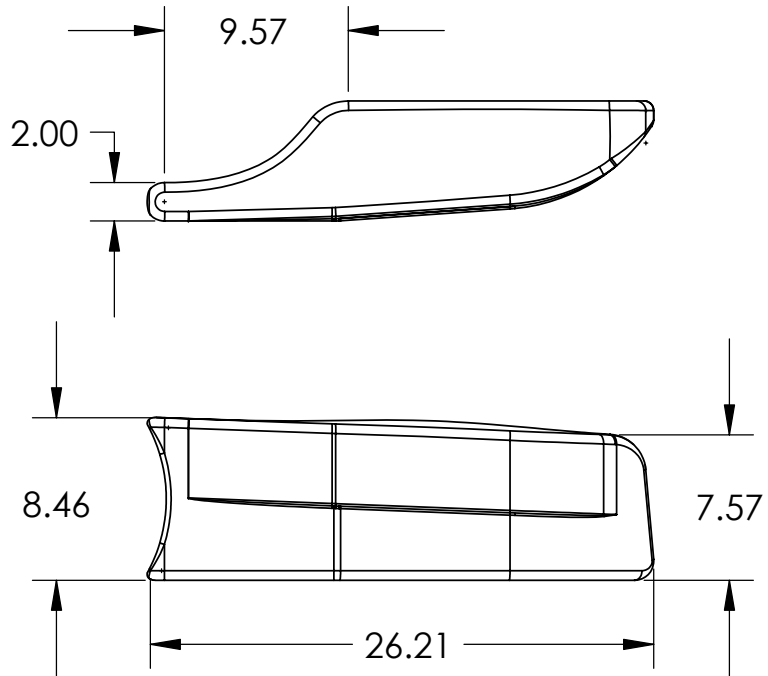
4

3

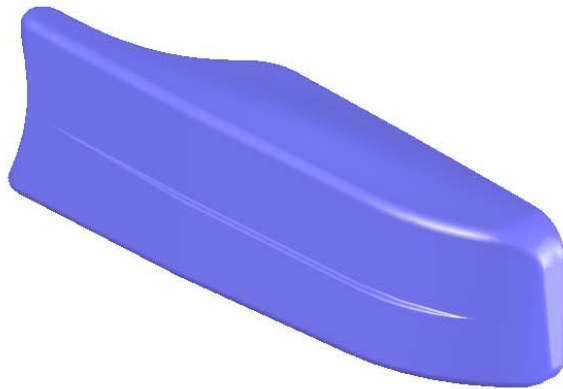
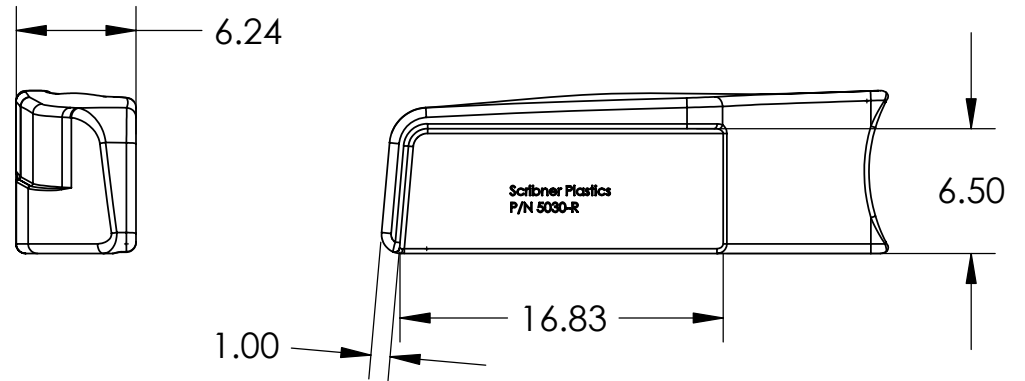
2

1

		REVISIONS		
ZONE	REV.	DESCRIPTION	DATE	APPROVED
	1	Initial Prototype Release	10-14-04	RS



NOTES:
 1. Side Pod, Left (P/N5030-L) is a mirror image of Side Pod, Right (5030-R).



11455 Hydraulic Drive Rancho Cordova, CA. 95742-6870 Tel: 800-552-5847 Fax: 916-638-2278 www.scribnerplastics.com	TITLE: Go-Kart Side Pod, Right	
	PART NUMBER: 5030-R	
UNLESS OTHERWISE SPECIFIED: DIMENSIONS ARE IN INCHES DO NOT SCALE DRAWING	SIZE: A	SCALE: 1:10