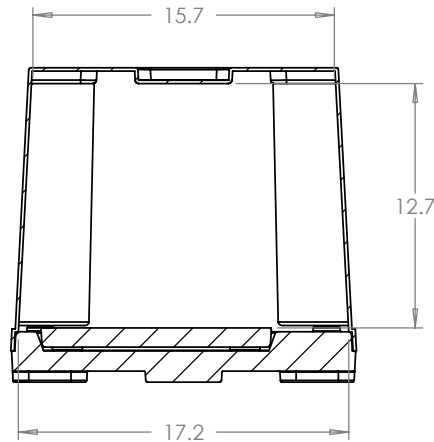
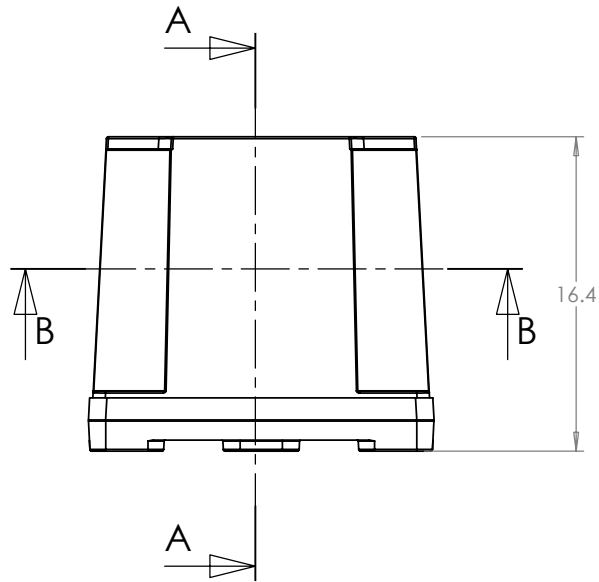
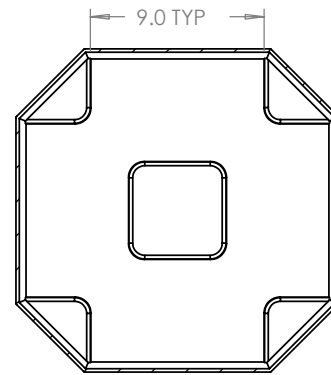
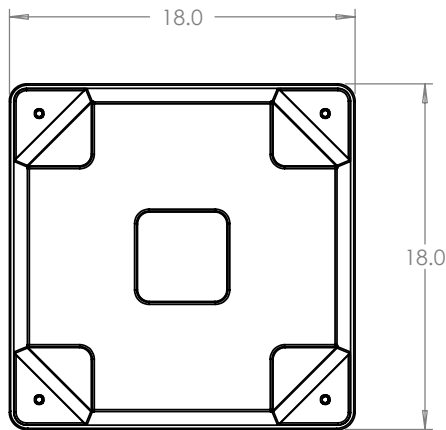


		REVISIONS		
ZONE	REV.	DESCRIPTION	DATE	APPROVED
	A	Initial Release	06/29/03	RS

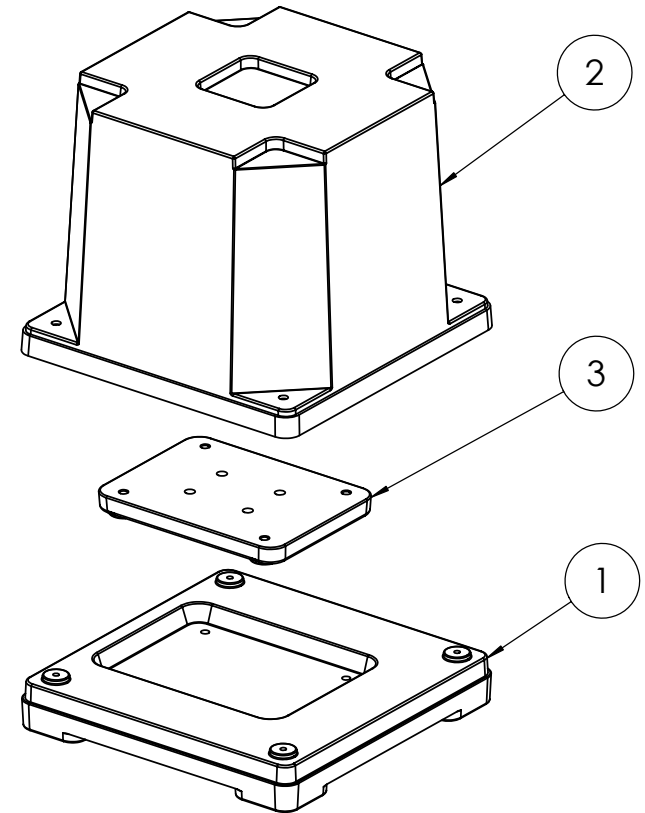


A-A

INTERIOR DIMENSIONS



B-B



ITEM NO.	QTY.	PART NO.	DESCRIPTION
1	1	5175-B	Base
2	1	5175-C	Cover
3	1	5175-XX	Insert

11455 Hydraulic Drive  
 Rancho Cordova, CA.  
 95742-6870  
 Tel: 800-552-5847  
 Fax: 916-638-2278  
 www.scribnerplastics.com

TITLE:  
 Go-Kart Engine  
 Shipping  
 Container

UNLESS OTHERWISE SPECIFIED:  
 DIMENSIONS ARE IN INCHES  
 DO NOT SCALE DRAWING

SIZE: **A** SCALE: 1:10