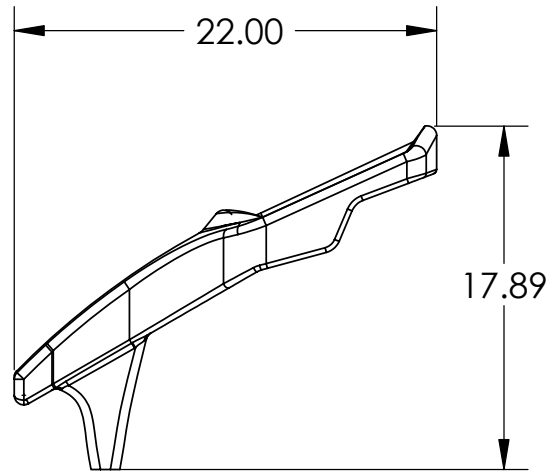
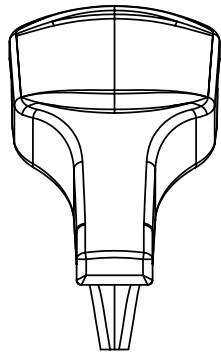
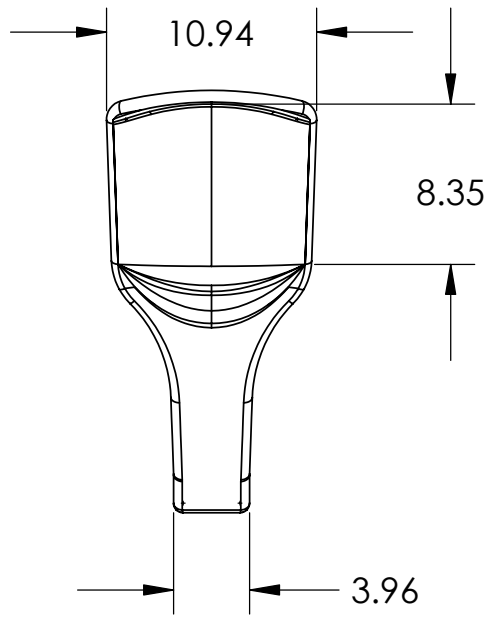


		REVISIONS		
ZONE	REV.	DESCRIPTION	DATE	APPROVED
	1	Initial Prototype Release	10-14-04	RS



11455 Hydraulic Drive  
 Rancho Cordova, CA.  
 95742-6870  
 Tel: 800-552-5847  
 Fax: 916-638-2278  
 www.scribnerplastics.com

TITLE: Go-Kart  
 Fairing

PART NUMBER: 5020

UNLESS OTHERWISE SPECIFIED:  
 DIMENSIONS ARE IN INCHES  
 DO NOT SCALE DRAWING

SIZE: **A** SCALE: 1:10