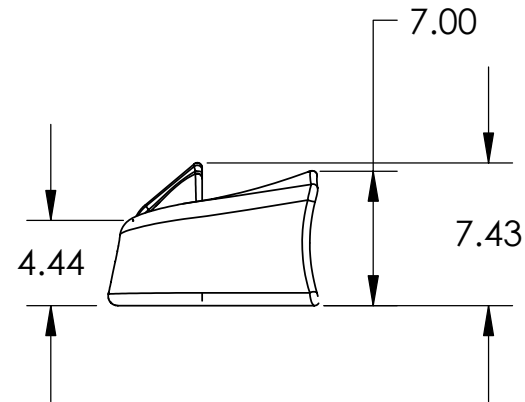
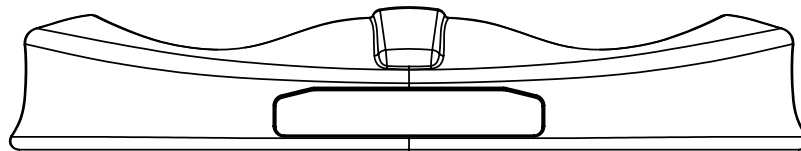
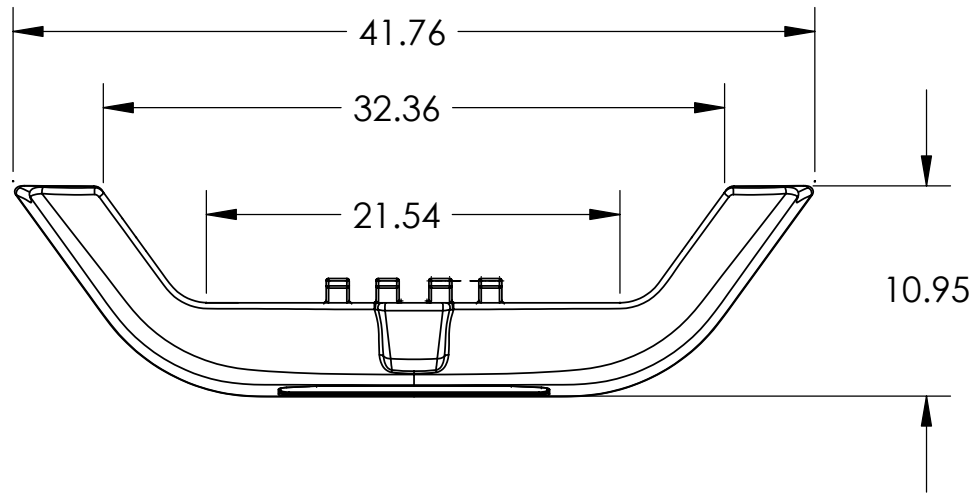


		REVISIONS		
ZONE	REV.	DESCRIPTION	DATE	APPROVED
	1	Initial Prototype Release	10-14-04	RS



11455 Hydraulic Drive
 Rancho Cordova, CA.
 95742-6870
 Tel: 800-552-5847
 Fax: 916-638-2278
 www.scribnerplastics.com

TITLE: Go-Kart
 Nose Cone

PART NUMBER: 5010

UNLESS OTHERWISE SPECIFIED:
 DIMENSIONS ARE IN INCHES
 DO NOT SCALE DRAWING

SIZE: **A** SCALE: 1:10

5

↑

4

3

2

1