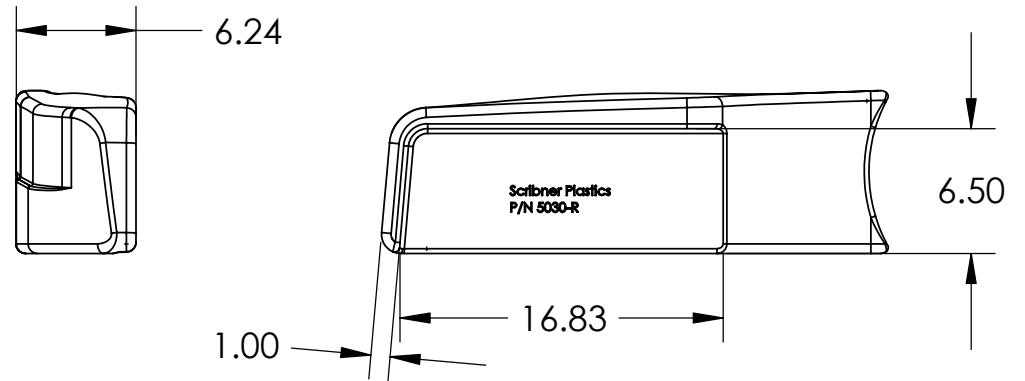
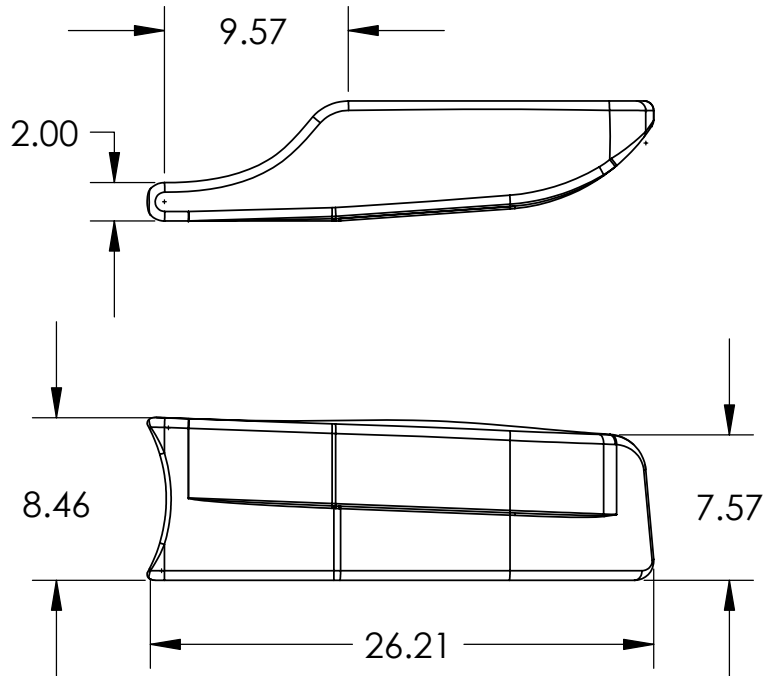
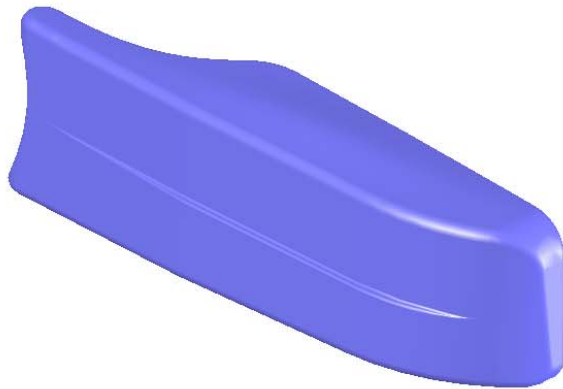


		REVISIONS		
ZONE	REV.	DESCRIPTION	DATE	APPROVED
	1	Initial Prototype Release	10-14-04	RS



NOTES:
 1. Side Pod, Left (P/N5030-L) is a mirror image of Side Pod, Right (5030-R).



11455 Hydraulic Drive Rancho Cordova, CA. 95742-6870 Tel: 800-552-5847 Fax: 916-638-2278 www.scribnerplastics.com	TITLE: Go-Kart Side Pod, Right	
	PART NUMBER: 5030-R	
UNLESS OTHERWISE SPECIFIED: DIMENSIONS ARE IN INCHES DO NOT SCALE DRAWING	SIZE: A	SCALE: 1:10