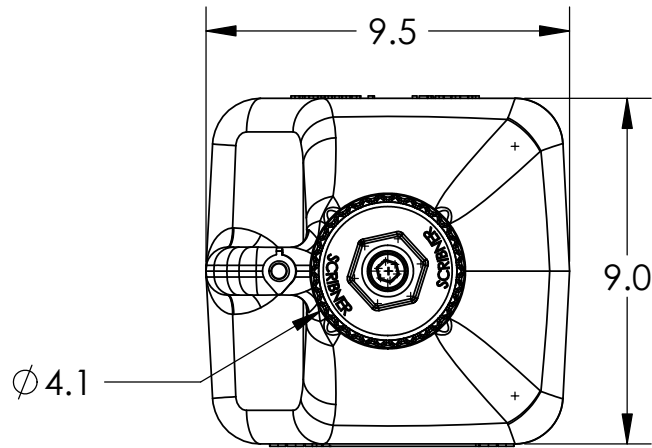
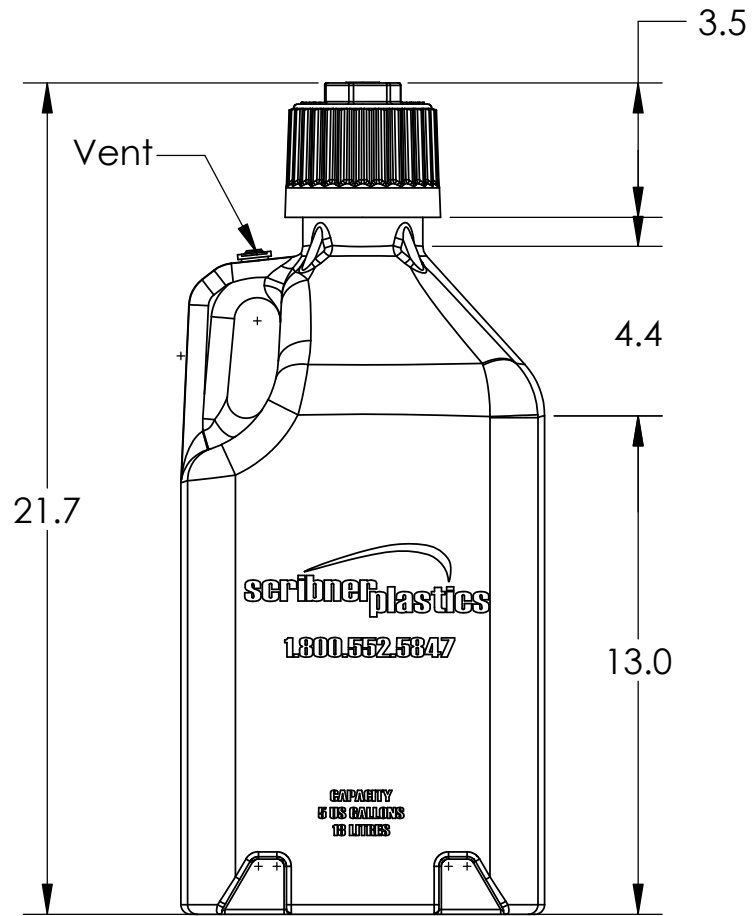


REVISIONS				
ZONE	REV.	DESCRIPTION	DATE	APPROVED
	A	Initial Release	07/21/03	RS



Closure: 3TPI
2.7" Opening
5 Gal (18 Liter) Capacity



scribner plastics

11455 Hydraulic Drive
Rancho Cordova, CA.
95742-6870
Tel: 800-552-5847
Fax: 916-638-2278
www.scribnerplastics.com

TITLE:

Utility Jug

UNLESS OTHERWISE SPECIFIED:
DIMENSIONS ARE IN INCHES
DO NOT SCALE DRAWING

SIZE: **A** SCALE: 1:5

5

4

3

2

1

1